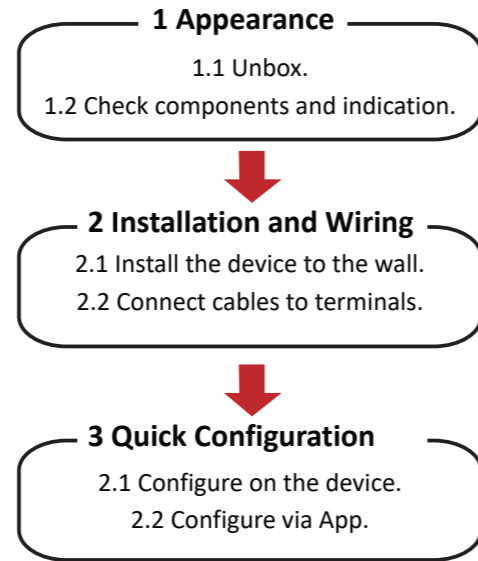


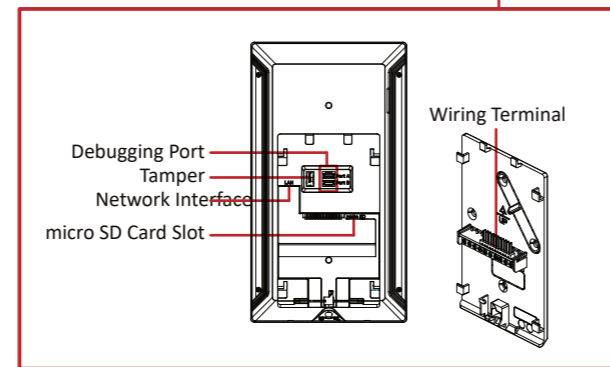
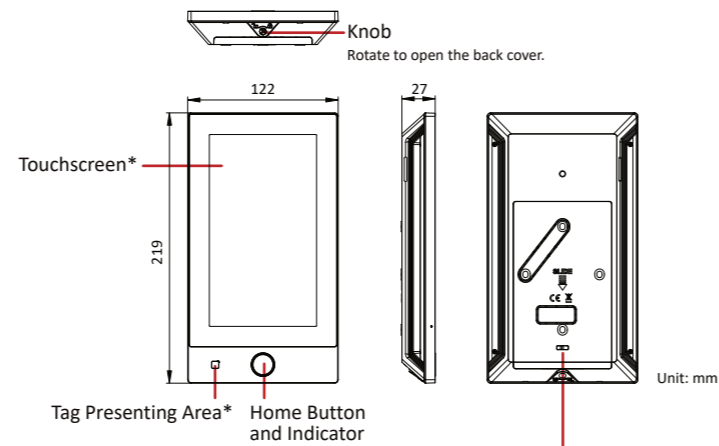
# Touchscreen Keypad Quick Start Guide

EN 50131-1:2006 + A1:2009 + A2:2017 + A3:2020  
EN 50131-3:2009  
EN 50130-4:2011 + A1:2014  
EN 50130-5:2011  
Security Grade 2  
Environment Class II

## User Manual Flow Chart



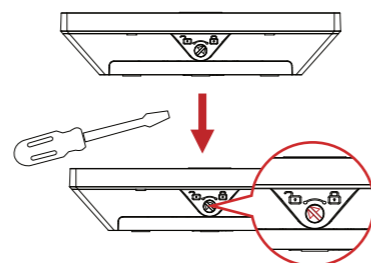
## 1 Appearance



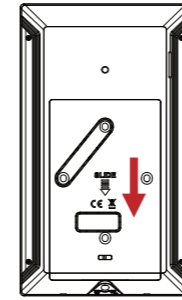
\*Parts of the device models supports tag presenting function.

## 2 Installation and Wiring

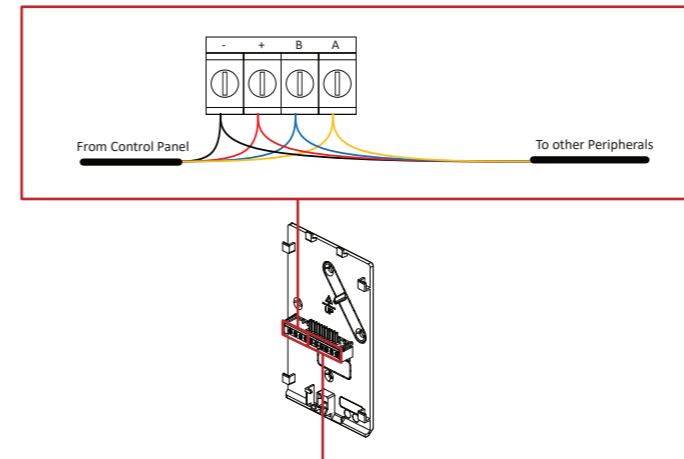
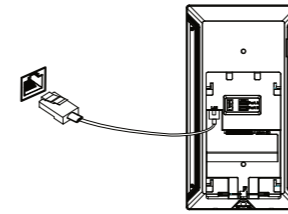
**Step 1.** Use a flathead screwdriver to turn the knob at the bottom of the device to the unlock position.



**Step 2.** Slide the back cover downward to separate it from the device.  
*Note: You may use a screwdriver to rotate the bottom lock to help separate more effectively.*

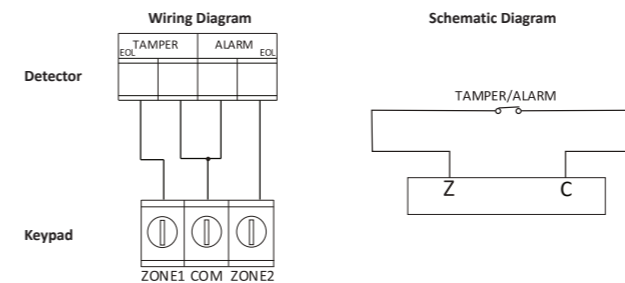


**Step 3.** Complete wiring.

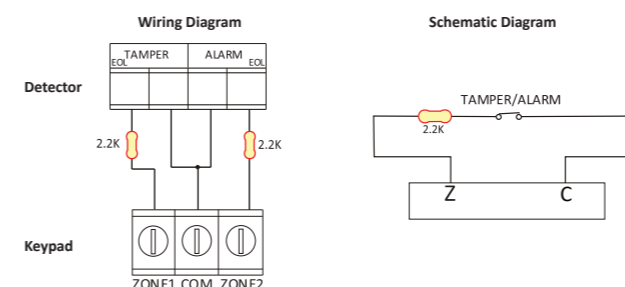


### A When Detector Contact Mode is NC

**1 Non Resistor Wiring**

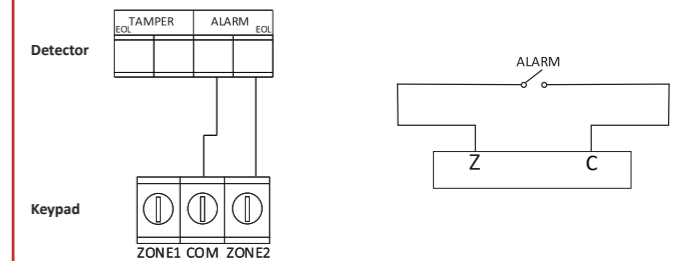


**2 Single EOL Wiring**

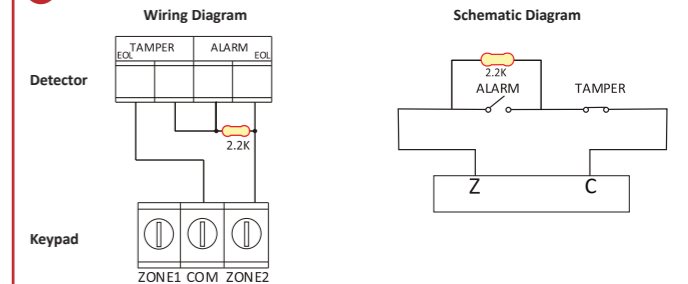


### B When Detector Contact Mode is NO

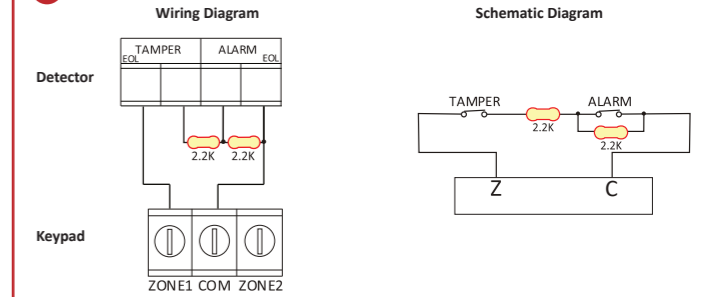
**1 Non Resistor Wiring**



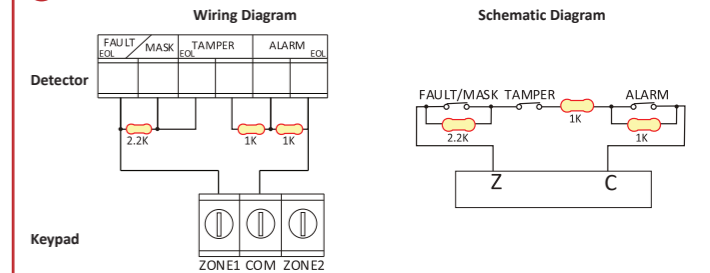
**2 Single EOL Wiring**



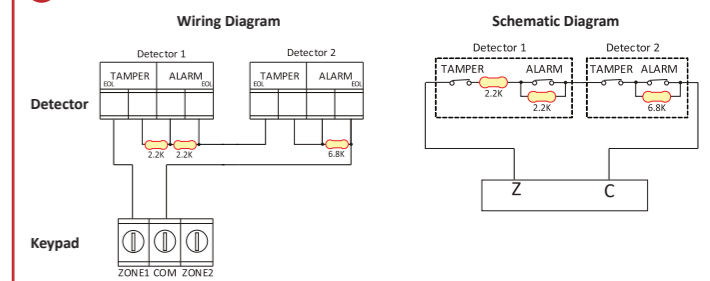
**3 Double EOL Wiring**



**4 Triple EOL Wiring**



**5 Double Zone Wiring**



User Manual

More Languages

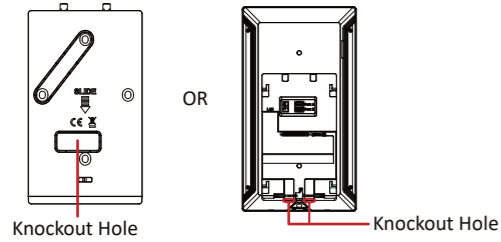


UD44764B-C

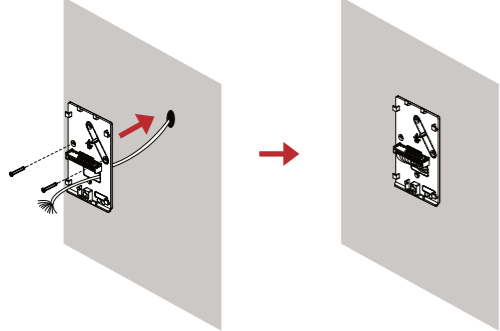
**Step 4. Install on the wall.**

**A Install without Gangbox**

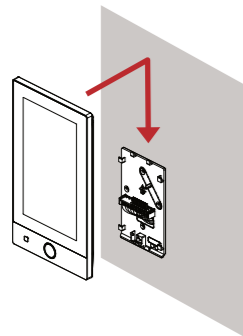
1) Remove the knockout hole from the back cover.



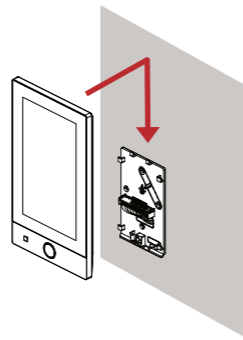
2) Use 2 screws (KA4X25) to fix the back cover to the wall, then connect and organize the cables.



3) Hang the device from top to bottom onto the back cover, and hear the "click" sound to indicate that the device installation is complete.

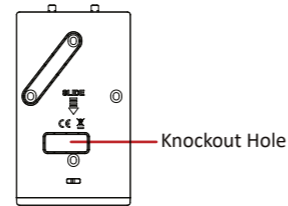


3) Hang the device from top to bottom onto the back cover, and hear the "click" sound to indicate that the device installation is complete.

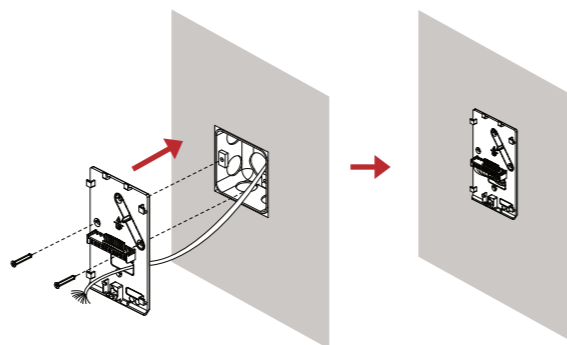


**B Install with Gangbox (Type II)**

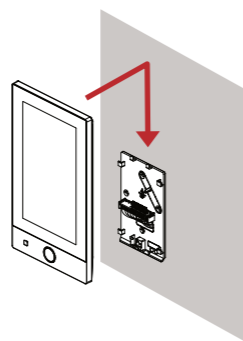
1) Remove the knockout hole from the back cover.



2) Make sure the gangbox is installed on the wall. Use 2 screws (KA4X25) to fix the back cover to the wall, then connect and organize the cables.

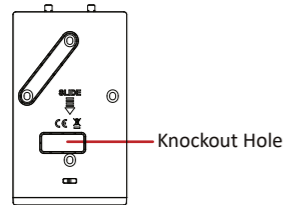


3) Hang the device from top to bottom onto the back cover, and hear the "click" sound to indicate that the device installation is complete.

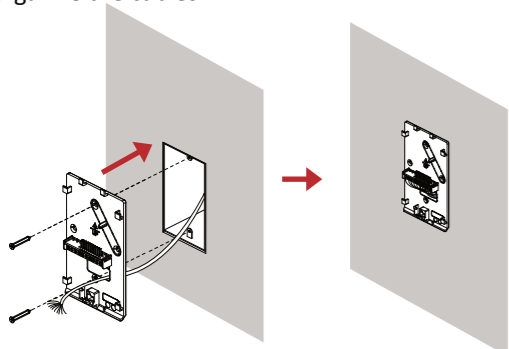


**B Install with Gangbox (Type I)**

1) Remove the knockout hole from the back cover.



2) Make sure the gangbox is installed on the wall. Use 2 screws (KA4X25) to fix the back cover to the wall, then connect and organize the cables.

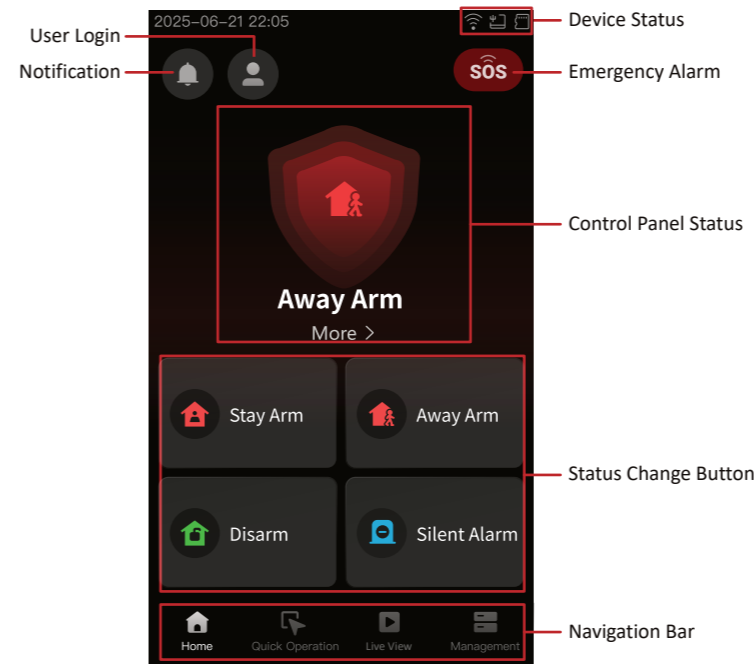


**3 Quick Configuration**

After the peripherals are wired with BUS, they are enrolled on the control panel automatically. You can configure the peripherals' parameters on the device or App.

**A Configuration on Device**

Make sure the peripheral is linked with the area. Or the control button will not display on the device page.



For detailed configuration, see the user manual.

**B Configuration on App**

**Step 1.** Scan the QR code to download the mobile App.



**Step 2.** Tap the device on the device list page, and tap ⚙️ to configure device parameters.

For detailed configuration, see the user manual.

*If a power adapter is provided in the device package, use the provided adapter only. If no power adapter is provided, ensure the power adapter or other power supply complies with Limited Power Source. Refer to the product label for the power supply output parameters.*